



Architectural Ironmongery Ltd

# WASHROOM FITTINGS

# Fjord

	Hooks ..... page 1
	Accessories ..... page 2, 3
	Toilet Roll Holders ..... page 4
	Towel Holders ..... page 5, 6
	Shower Shelves ..... page 7
	Toilet Brush Holder ..... page 8
	Soap Dispensers ..... page 9

# Logic

	Soap Dispensers ..... page 10, 11
	Paper Dispensers ..... page 12
	Hand Dryers ..... page 13, 14, 15, 16
	Combination Units ..... page 17, 18
	Waste Paper Bins..... page 19
	Grab Bars and Backrest..... page 20

BCH16

## Buffered Coat Hook

- Durable high quality Stainless Steel, type 304
- Available in Polished or Satin Finish
- Door stopper



Order Code	Description	Dimensions (mm)	Diameter (mm)	Case Qty	Finish
BCH16/SS	Buffered Coat Hook	67 x 40	16	20	Satin Stainless Steel
BCH16/PS	Buffered Coat Hook	67 x 40	16	20	Polished Stainless Steel

TCH16/1

## Towel/Coat Hook with slot

- Durable high quality Stainless Steel, type 304
- Available in Polished or Satin Finish



Order Code	Description	Dimensions (mm)	Diameter (mm)	Case Qty	Finish
TCH16/1/SS	Towel/Coat Hook	35 x 16	16	20	Satin Stainless Steel
TCH16/1/PS	Towel/Coat Hook	35 x 16	16	20	Polished Stainless Steel

TCH16/2

## Towel/Coat Hook with peg

- Durable high quality Stainless Steel, type 304
- Available in Polished or Satin Finish

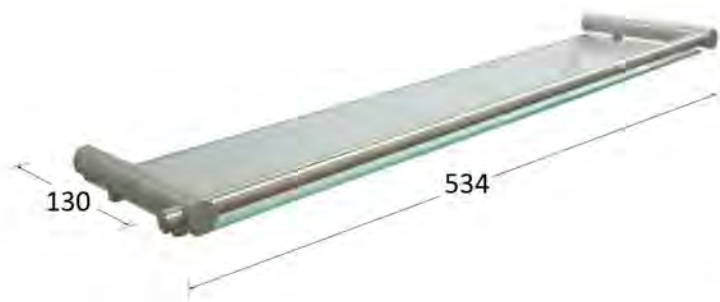


Order Code	Description	Dimensions (mm)	Diameter (mm)	Case Qty	Finish
TCH16/2/SS	Towel/Coat Hook	35 x 31	16	20	Satin Stainless Steel
TCH16/2/PS	Towel/Coat Hook	35 x 31	16	20	Polished Stainless Steel

GS534

## Glass Shelf

- Solid Stainless Steel, type 304
- Available in Polished or Satin Finish
- Safety Glass 6 mm



Order Code	Description	Dimensions (mm)	Diameter (mm)	Case Qty	Finish
GS534/SS	Glass Shelf	534 x 130	18	6	Satin Stainless Steel
GS534/PS	Glass Shelf	534 x 130	18	6	Polished Stainless Steel

MS20

## Mirror Supports (set of 4)

- Solid Stainless Steel, type 304
- Available in Polished or Satin Finish

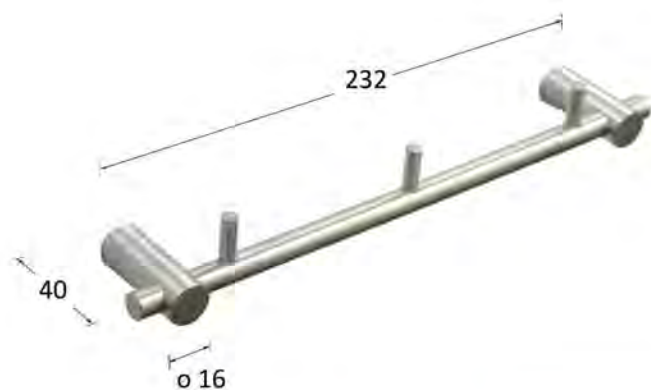


Order Code	Description	Dimensions (mm)	Diameter (mm)	Case Qty	Finish
MS20/SS	Mirror Supports	16	20	6	Satin Stainless Steel
MS20/PS	Mirror Supports	16	20	6	Polished Stainless Steel

TTH232

## Triple Towel Hook

- Solid Stainless Steel, type 304
- Available in Polished or Satin Finish



Order Code	Description	Dimensions (mm)	Diameter (mm)	Case Qty	Finish
TTH232/SS	Triple Towel Hook	232 x 40	16	6	Satin Stainless Steel
TTH232/PS	Triple Towel Hook	232 x 40	16	6	Polished Stainless Steel

SD152

## Clear Soap Dish & Holder

- Solid Stainless Steel, type 304
- Available in Satin or Polished finish
- Safety Glass



Order Code	Description	Dimensions (mm)	Diameter (mm)	Case Qty	Finish
SD152/SS	Soap Dish & H.	152 x 87	16	6	Satin Stainless Steel
SD152/PS	Soap Dish & H.	152 x 87	16	6	Polished Stainless Steel

TH115

## Tumbler & Toothbrush Holder

- Solid Stainless Steel, type 304
- Available in Polished or Satin Finish



Order Code	Description	Dimensions (mm)	Diameter (mm)	Case Qty	Finish
TH115/SS	T. & T. Holder	115 x 90 x 110	11	6	Satin Stainless Steel
TH115/PS	T. & T. Holder	115 x 90 x 110	11	6	Polished Stainless Steel

SRH150

## Spare Roll Holder

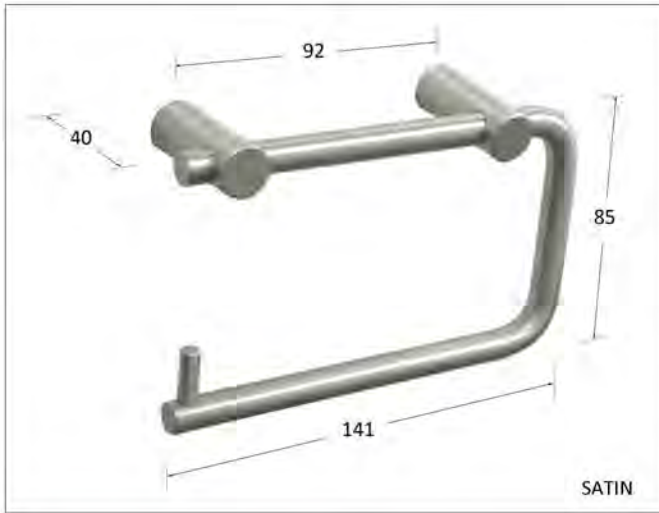
- Solid Stainless Steel, type 304
- Available in Polished or Satin Finish



Order Code	Description	Dimensions (mm)	Diameter (mm)	Case Qty	Finish
SRH150/SS	Spare Roll Holder	150 x 73	n/a	6	Satin Stainless Steel
SRH150/PS	Spare Roll Holder	150 x 73	n/a	6	Polished Stainless Steel

TRH141

## Toilet Roll Holder



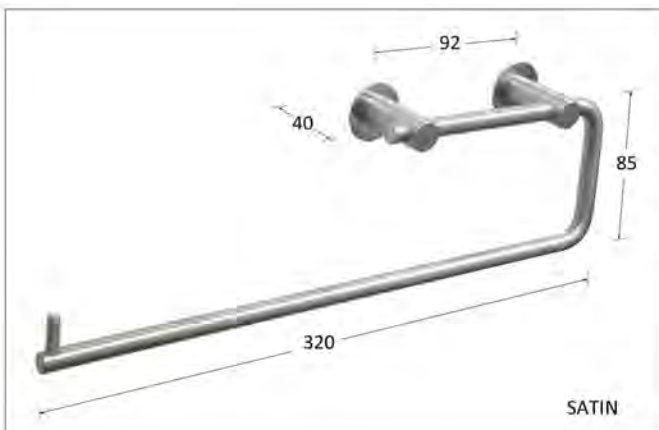
- Solid Stainless Steel, type 304
- Supplied with round roses for optional fixing to soft walls
- Available in Satin or Polished Finish



Order Code	Description	Dimensions (mm)	Projection	Case Qty	Finish
TRH141/SS	Toilet Roll Holder	141 x 85	40 mm	6	Satin Stainless Steel
TRH141/PS	Toilet Roll Holder	141 x 85	40 mm	6	Polished Stainless Steel

DTR320

## Double Toilet Roll Holder



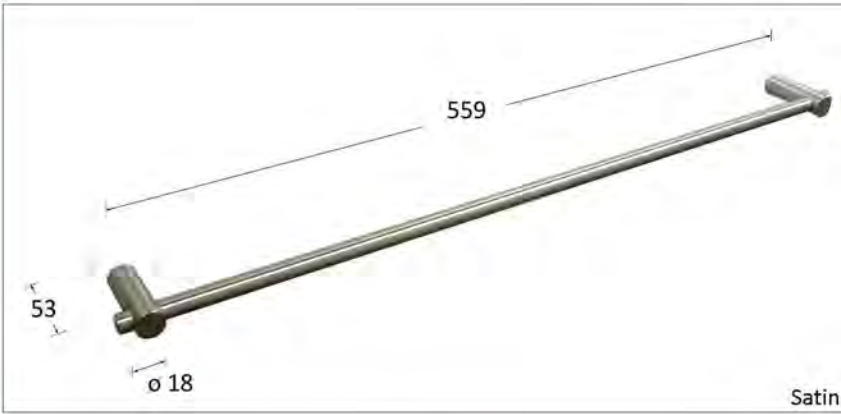
- Solid Stainless Steel, type 304
- Supplied with round roses for optional fixing to soft walls
- Available in Satin or Polished Finish



Order Code	Description	Dimensions (mm)	Projection	Case Qty	Finish
DTR320/SS	Double Toilet Roll Holder	320 x 85	40 mm	6	Satin Stainless Steel
DTR320/PS	Double Toilet Roll Holder	320 x 85	40 mm	6	Polished Stainless Steel

STB559

Single Towel Bar



- Solid Stainless Steel, type 304
- Satin or Polished Finish



Order Code	Description	Dimensions (mm)	Diameter (mm)	Case Qty	Finish
STB559/SS	Single Towel Bar	559 x 53	18	6	Satin Stainless Steel
STB559/PS	Single Towel Bar	559 x 53	18	6	Polished Stainless Steel

DTB562

Double Towel Bar



- Solid Stainless Steel, type 304
- Satin or Polished Finish



Order Code	Description	Dimensions (mm)	Diameter (mm)	Case Qty	Finish
DTB562/SS	Double Towel Bar	562 x 107	18	6	Satin Stainless Steel
DTB562/PS	Double Towel Bar	562 x 107	18	6	Polished Stainless Steel

TS522

## Towel Shelf



- Solid Stainless Steel, type 304
- Satin or Polished Finish



Order Code	Description	Dimensions (mm)	Projection	Case Qty	Finish
TS522/SS	Towel Shelf	522 x 55	280 mm	6	Satin Stainless Steel
TS522/PS	Towel Shelf	522 x 55	280 mm	6	Polished Stainless Steel

TR230

## Towel Ring



- Solid Stainless Steel, type 304
- Satin or Polished Finish



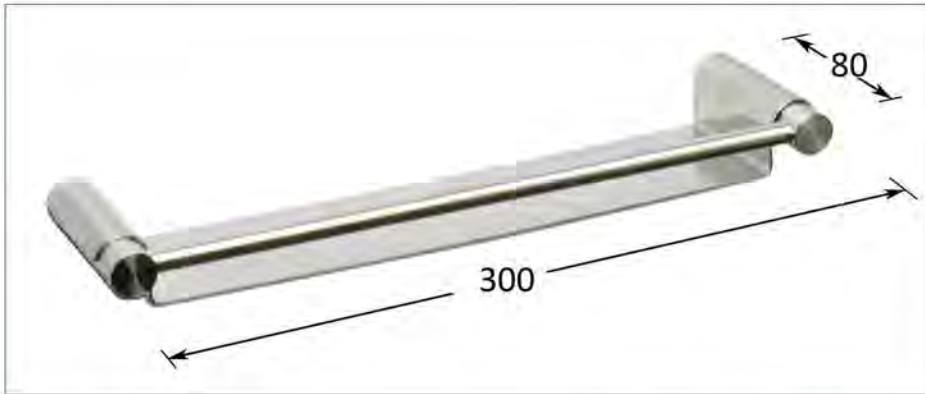
Order Code	Description	Dimensions (mm)	Projection	Case Qty	Finish
TR230/SS	Towel Ring	∅ 230 x 60	60 mm	6	Satin Stainless Steel
TR230/PS	Towel Ring	∅ 230 x 60	60 mm	6	Polished Stainless Steel



SS300

## Shower Shelf 300mm

- Solid Stainless Steel, type 304
- Removable shelf for easy cleaning
- Satin Finish

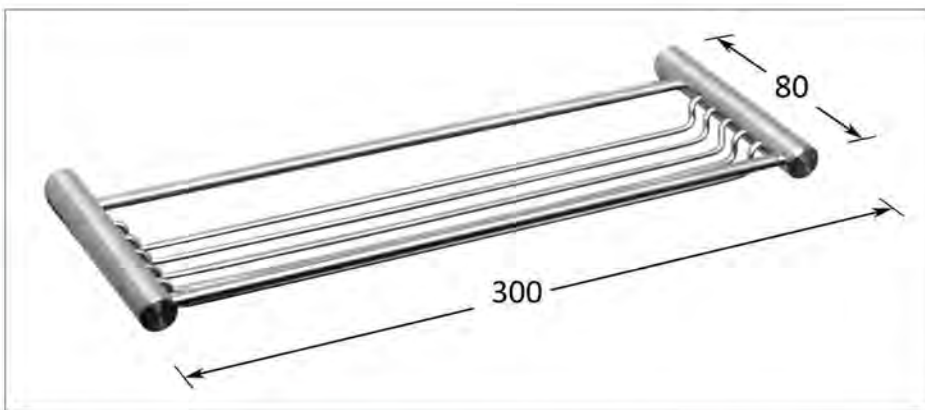


Order Code	Description	Dimensions (mm)	Projection	Case Qty	Finish
SS300	Shower Shelf	300	80 mm	6	Satin Stainless Steel

SB300

## Shower Basket 300mm

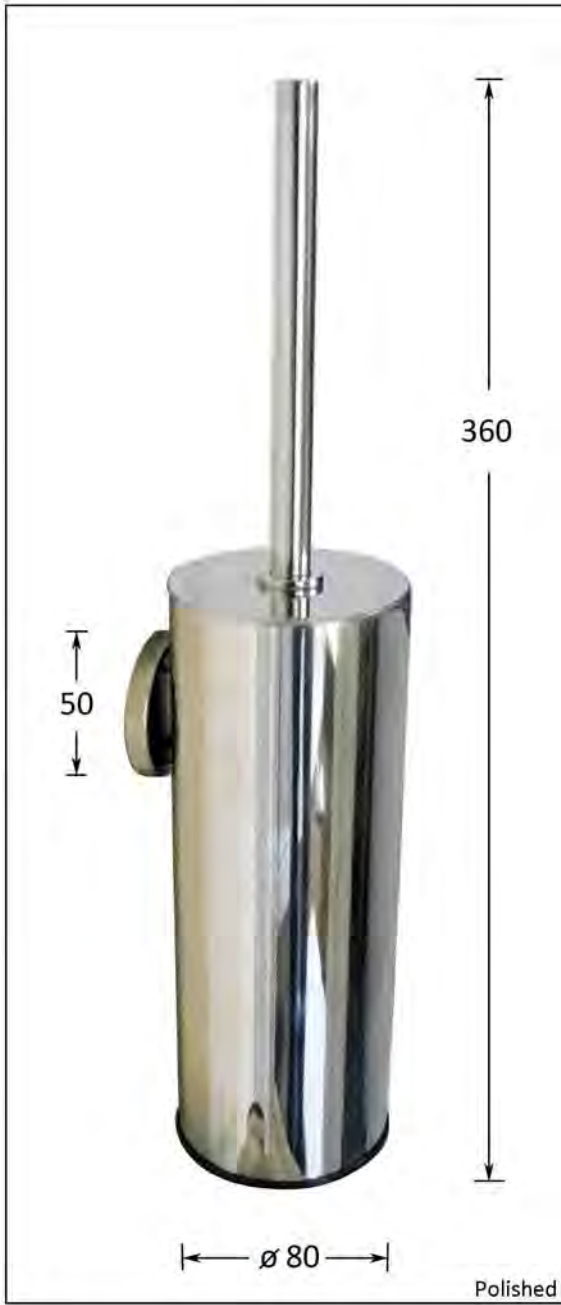
- Solid Stainless Steel, type 304
- Satin Finish



Order Code	Description	Dimensions (mm)	Projection	Case Qty	Finish
SB300	Shower Basket	300	80 mm	6	Satin Stainless Steel

TBH80

# Toilet Brush Holder



- Wall mounted
- Durable high quality Stainless Steel
- Available in Polished or Satin Finish
- Easily removable for cleaning
- Concealed brush



Order Code	Description	Dimensions (mm)	Projection (mm)	Case Qty	Finish
TBH80/SS	Toilet Brush Holder	360 x 80	85	6	Satin Stainless Steel
TBH80/PS	Toilet Brush Holder	360 x 80	85	6	Polished Stainless Steel

SD250

## Wall Soap Dispenser

- Wall mounted
- Non-drip, one push action
- Durable high quality Stainless Steel, Satin or Polished finish
- Bulk Fill



Order Code	Description	Dimensions (mm)	Capacity (ml)	Case Qty	Finish
SD250/SS	Wall Soap Dispenser	211 x 85 x $\phi$ 60	250	6	Satin Stainless Steel
SD250/PS	Wall Soap Dispenser	211 x 85 x $\phi$	250	6	Polished Stainless Steel

SD500

## Wall Soap Dispenser

- Wall mounted
- Non-drip, one push action
- Durable high quality Stainless Steel, Satin or Polished finish
- Bulk Fill



Order Code	Description	Dimensions (mm)	Capacity (ml)	Case Qty	Finish
SD500/SS	Wall Soap Dispenser	195 x 85 x $\phi$ 60	500	6	Satin Stainless Steel
SD500/PS	Wall Soap Dispenser	195 x 85 x $\phi$ 60	500	6	Polished Stainless Steel

**SD800**

## Soap Dispenser

- Vertically fitted
- Non-drip, one push action
- Durable high quality Stainless Steel Satin Front, Polished Sides
- Bulk Fill
- Lockable



Order Code	Description	Dimensions (mm)	Capacity (ml)	Case Qty	Finish
SD800/SS	Soap Dispenser	100 x 178 x 115	800	12	Satin Stainless Steel

**SD1200**

## Soap Dispenser

- Vertically fitted
- Non-drip, one push action
- Durable high quality Stainless Steel Satin Front, Polished Sides
- Bulk Fill
- Lockable



Order Code	Description	Dimensions (mm)	Capacity (ml)	Case Qty	Finish
SD1200	Soap Dispenser	105 x 203 x 130	1200	12	Satin Stainless Steel

SDR1000

## Soap Dispenser Recessed

- Recessed mounted
- Non-drip, one push action
- Durable high quality Stainless Steel Satin Front
- Bulk Fill
- Lockable



Order Code	Description	Dimensions (mm)	Capacity (ml)	Case Qty	Finish
SDR1000/SS	Soap Dispenser Recessed	1401x 240	1000	12	Satin Stainless Steel

SDC500

## Soap Dispenser Worktop/Basin

- Worktop/Basin mounted
- To be mounted through a 23mm diameter hole in worktop
- Non-drip, one push action
- Stainless steel container



Order Code	Description	Dimensions (mm)	Capacity (mm)	Case Qty	Finish
SDC500	Soap Dispenser Worktop	260 x 23 x 90	500	6	Satin Stainless Steel

**JTR260**

## Jumbo Toilet Roll Dispenser

- Wall fitted
- Durable high quality Stainless Steel Satin type 304
- Lockable



Order Code	Description	Dimension (mm)	Projection	Case Qty	Finish
JTR260/SS	Jumbo Toilet Roll Dispenser	260 x 125	n/a	6	Satin Stainless Steel

**PTD400**

## Paper Towel Dispenser

- Wall fitted
- Durable high quality Stainless Steel Satin, type 304
- Z folded interleaved Paper Towels
- Key Lockable



Order Code	Description	Dimensions (mm)	Projection	Case Qty	Finish
PTD400/SS	Paper Towel Dispenser	400 x 275 x 165	n/a	6	Satin Stainless Steel

**HDD2400**

**Automatic Hand Dryer 2400 Watts**



**CE**

**CB**

**EMC**

**LVD**

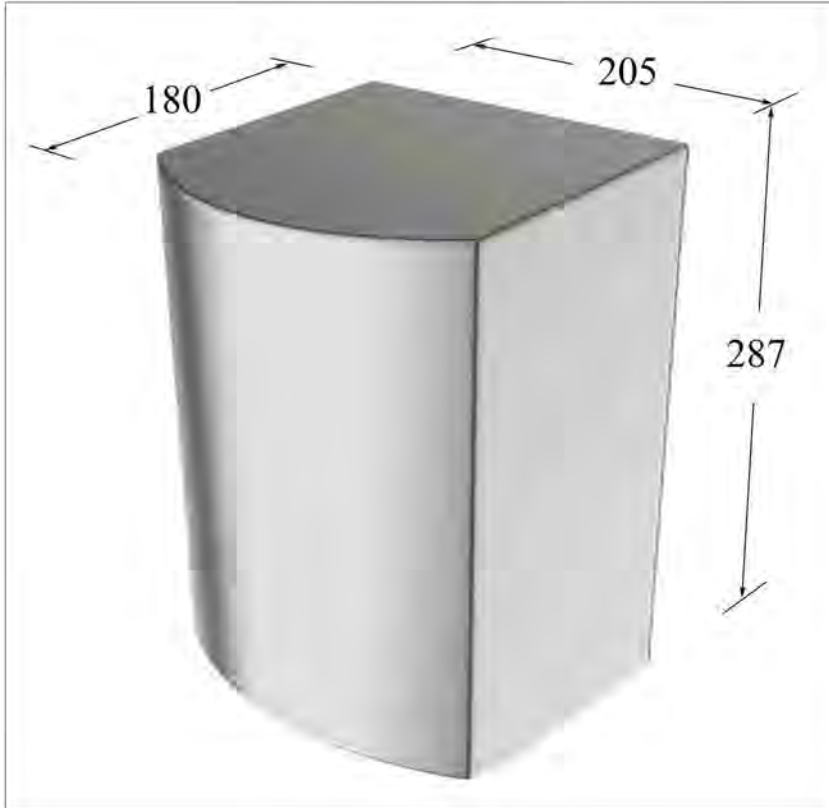


- Brush Motor - 200W thermostat controlled, 4150 r.p.m. - 50Hz/60Hz
- Adjustable sensor range -10 to 30cm
- Sound Level: 70+/- 3 db
- Air speed: 20.5 m/s - 50Hz/60Hz
- Drying Time: approximately 20-25 seconds
- Drip proof: IPX1
- 2 vandal-proof lock screws and key wrench
- Power cut off automatically in case of irregular use over 120 seconds
- Casing: Stainless steel cover (Type 304)

Order Code	Volts	Watts	Amps	Dimensions (mm)	Case Qty	Finish
HDD2400/SS	240 Vac	2400 W	9.6	240 x 216 x 165	1	Satin Stainless Steel

**HSD700**

**High Speed Hand Dryer**



**CE**

**CB**

**EMC**

**LVD**

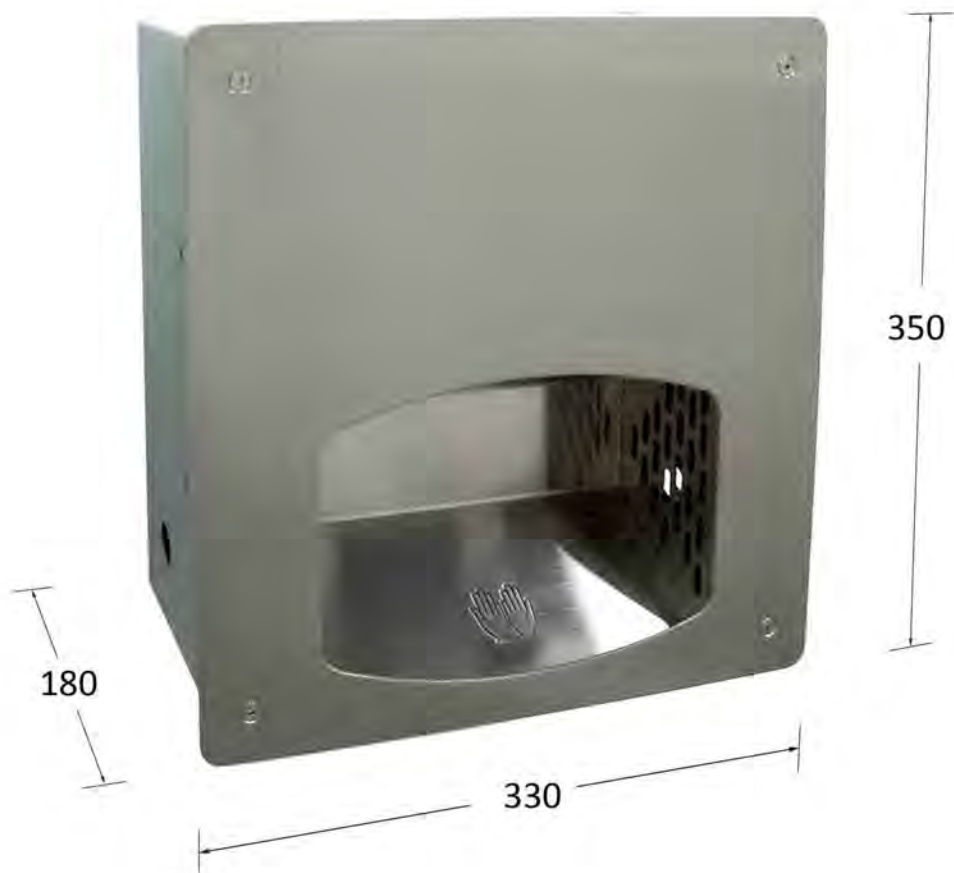
- Wall mounted
- Brush Motor 350-700W, 12.000-18.000 R.P.M., Adjustable
- Heater Element: 450-900W Adjustable
- Air speed: 75-100 m/s Adjustable
- Drying Time: Less than 10-15 seconds
- High Brightness LED to Increase the Ease and Delight of Use
- Drip proof: IPX1 - Isolation: Class 1
- Circuit Operation: Infrared Automatic, self adjusting
- Casing: High Quality Satin Stainless Steel
- Unit Size: 205mmW x 287mm H x 180mm D

Order Code	Volts	Watts	Amps	Dimensions (mm)	Case Qty	Finish
HSD700/SS	240 Vac	700 W	9.6	205 x 287 x 180	1	Satin Stainless Steel



HDR2200

## Recessed Automatic Hand Dryer 2200 Watts



CE

CB

EMC

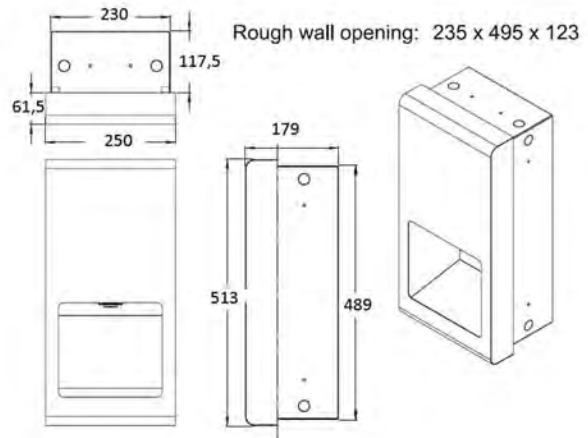
LVD

- Recessed mounted
- Brush Motor 2200W, 3800 R.P.M., Adjustable
- Sound Level : 68 +/- 5dB
- Air speed: 20,5 m/s - 50Hz/60Hz
- Drying Time: Approximately 20 - 25 seconds
- Drip proof: IPX1 - Isolation: Class 1
- 2 vandal-proof lock screws and key wrench
- Casing: High Quality Satin Stainless Steel, Type 304
- Rough Wall opening : mm 323 x 346 x 155

Order Code	Volts	Watts	Amps	Dimensions (mm)	Case Qty	Finish
HDR2200/SS	240 Vac	2200 W	9.6	180 x 330 x 350	1	Satin Stainless Steel

HSR700

Semi-Recessed High Speed Hand Dryer



- Semi-Recessed mounted
- Brush Motor 350-700W, 12.000-18.000 R.P.M., Adjustable
- Heater Element: 450-900W Adjustable
- Air speed: 75-100 m/s Adjustable
- Drying Time: Less than 10-15 seconds
- High Brightness LED to Increase the Ease and Delight of Use
- Drip proof: IPX1 - Isolation: Class 1
- Circuit Operation: Infrared Automatic, self adjusting

Order Code	Volts	Watts	Amps	Dimensions (mm)	Case Qty	Finish
HSR700/SS	240 Vac	W700	9.6	250 x 513 x 61,5	1	Satin Stainless Steel

HDC2200

## Combination Unit 3 in 1

Hand Dryer - Paper Towel - Waste Bin



- Recessed mounted
- A high performance warm-air hand dryer with integral paper towel dispenser
- Capacity 300-500 towels, depending on the type and their folding
- Cabinet manufactured from high quality stainless steel (Type 304) with satin finish
- 2.2kw hand dryer, approximately 20-25 seconds drying time
- Automatic timer on dryer
- Waste receptacle capacity - 18 litres
- Recess dimensions H1614 x W330 x D156mm



CE

CB

EMC

LVD

Order Code	Volts	Watts	Amps	Dimensions (mm)	Case Qty	Finish
HDC2200/SS	240 Vac	2200 W	9.6	370 x 1660 x 161	1	Satin Stainless Steel

RTD750

## Recessed Paper Towel Dispenser and Bin



- Recessed mounted
- Lockable
- Removable Waste Receptacle
- High Quality Satin Stainless Steel, Type 304

Order Code	Description	Dimensions (mm)	Case Qty	Finish
RTD750/SS	Recessed Paper Towel Dispenser and Bin	262 x 747x 139	1	Satin Stainless Steel

WPB610

## Waste Paper Bin 50 Litres

- Floor/Wall Mounted
- Durable high quality Stainless Steel Satin
- Comes with standard bag -holder apparatus
- Capacity 50 Litres



Order Code	Description	Dimensions (mm)	Capacity (lt)	Case Qty	Finish
WPB610/SS	Waste Paper Bin	350 x 610 x 200	50	1	Satin Stainless Steel

WPB440

## Waste Paper Bin 24 Litres

- Floor/Wall Mounted
- Durable high quality Stainless Steel Satin
- Capacity 24 Litres

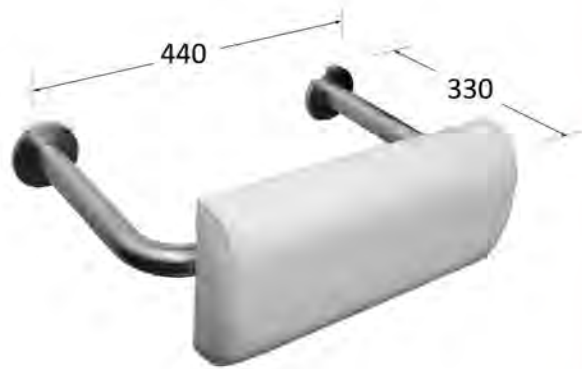


Order Code	Description	Dimensions (mm)	Capacity (lt)	Case Qty	Finish
WPB440/SS	Waste Paper Bin	360 x 440 x 155	24	1	Satin Stainless Steel

**BR400**

## Backrest & Cushion

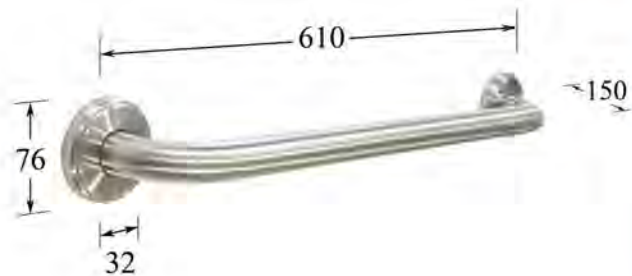
- Concealed Fixing
- High Quality 304 Satin Stainless Steel
- White vinyl covered foam cushion



**GR610**

## Grab Rail

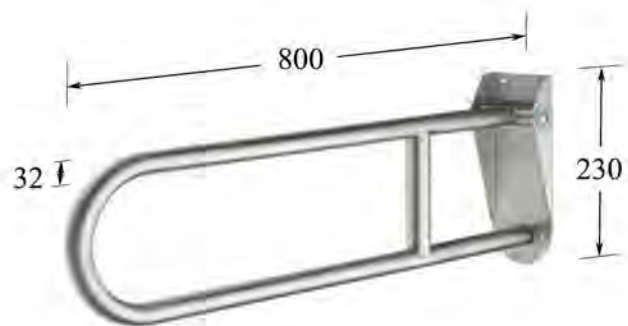
- Concealed Fixing
- High Quality 304 Satin Stainless Steel



**HGR800**

## Hinged Grab Rail

- High Quality 304 Satin Stainless Steel
- Adjustable position



Order Code	Description	Dimensions (mm)	Diam	Case Qty	Finish
BR400/SS	Backrest & Cushion	D330 W440	32 mm	1	Satin Stainless Steel
GR610/SS	Grab Rail	D150 W610	32 mm	1	Satin Stainless Steel
HGR800/SS	Hinged Grab Rail	D800 H230	32 mm	1	Satin Stainless Steel

Order Code	Description	Case Qty	Finish
DocM/SS	Combination DDA Pack 4xGR610, 1xHGR800, 1xBR400 Satin Finish	1	Satin Stainless Steel

